
MEASUREMENT REPORT

Nr	T-R 1379	
Report version	v1.0	
Customer	Karlux Oy Lakkilantie 6, 15150 Lahti	
Luminaire under test	Kombi-LED-1050mA	
Measured quantities	Luminous flux, luminous efficacy, Luminous intensity distribution, Floor illuminance	
Measurement date	13.2.2017	
Date	16.2.2017	
Signatures	Dr. Pasi Manninen Specialist	Joni Riipinen Test operator
Page	1/8	
Distribution	Customer SSL Resource Oy	

MEASUREMENT METHOD

The measurements were made by a goniophotometer at the dark room of SSL Resource Oy. The luminous intensities of a light source at different directions were measured with a calibrated photometer located at a known distance from the light source.

Table 1. List of the used measurement quantities.

Quantity	Symbol
Luminous flux	Φ_V
Luminous efficacy	η_V
Input power	P_{IN}
Power factor	PF
Luminous intensity (γ, C)=(0°,0°)	I_V
Maximum luminous intensity	$I_{V, \max}$
The direction of the maximum luminous intensity $I_{V, \max}$	$(\gamma_{\max}, C_{\max})$
Beam-angle, 50% from the peak intensity	BA ₅₀
Beam-angle, 10% from the peak intensity	BA ₁₀
Downward flux fraction ($\gamma < 90^\circ$)	DWFF

MEASUREMENT UNCERTAINTY

The expanded measurement uncertainties of the luminous flux and luminous efficacy are $\pm 3.8\%$ and $\pm 4.0\%$ ($k = 2$), respectively.

MEASUREMENTS

Table 1 describes the measurement conditions. The luminaire under test and photometer were mounted onto the same optical axis and perpendicular by an alignment laser and auxiliary mirror. The measurement distance from the rotation axis to the photometer optical receiving surface was measured by laser distance meter and a caliper.

Table 1. Measurement information.

Parameter	Value
Ambient temperature of the laboratory	$(24 \pm 1)^\circ\text{C}$
Supply voltage	$(230.0 \pm 0.3) \text{ V}$
Measurement distance	7.752 m
Location of the rotation axis (behind the outermost surface of the optics)	330 mm
γ_{\max}	110°
γ_{step}	2.5°
C_{step}	15°
Stabilization time	60 min

RESULTS

The measurement results are shown in tables 2 and in figures 1-2.

The transversal isolux curves are presented in figures on pages 5-8. The isolux curves was presented for mounting heights of 3, 4, 5, and 6 meters. The ageing degradation factor of the installation was 0.8.

Table 2. The measurement results of luminous intensity distribution.

Φ_V (lm)	P_{IN} (W)	PF	η_V (lm/W)	I_V (cd)	$I_{V,max}$ (cd)	(γ_{max}, C_{max})	DWFF	$BA_{50},$ C0-180 / C90-270	$BA_{10},$ C0-180 / C90-270
3287	43.6	0.974	75.4	96	895	(45.0°, 0.0°)	99.5 %	170°	181°

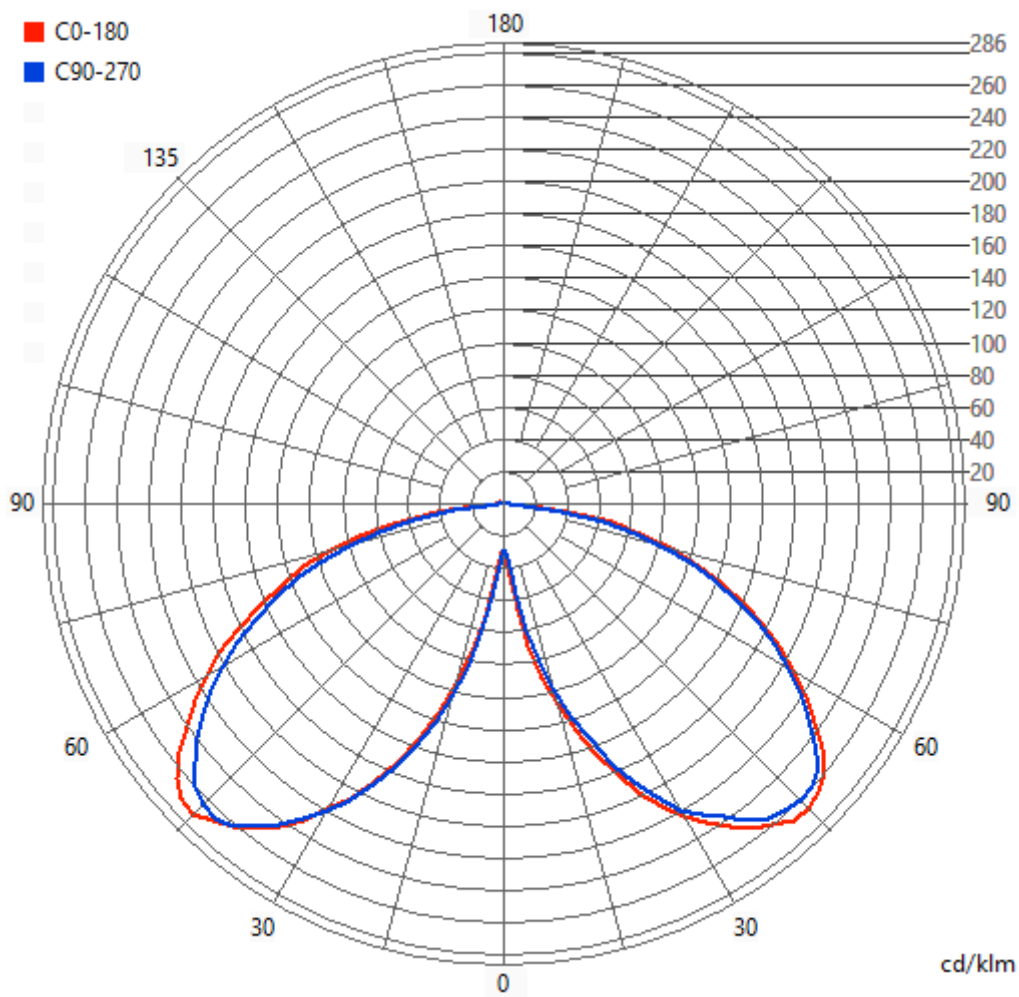


Figure 1. Polar curve.

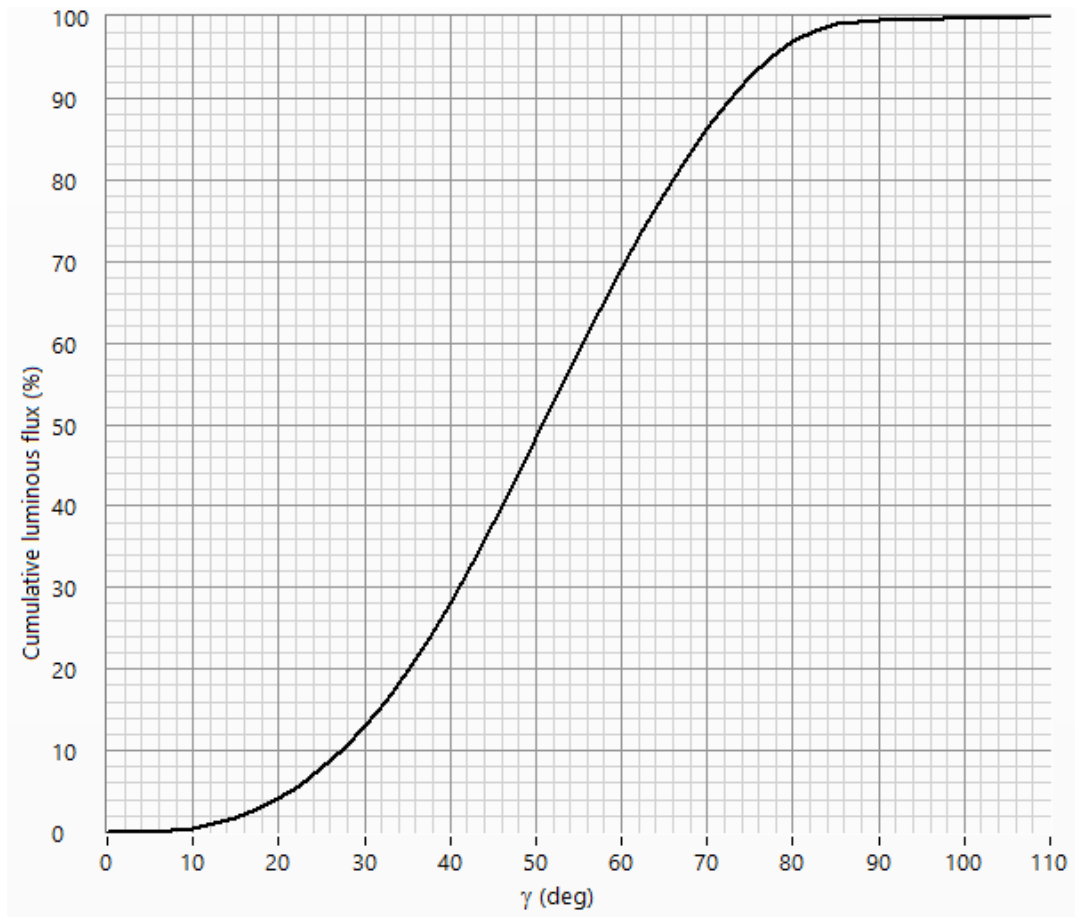
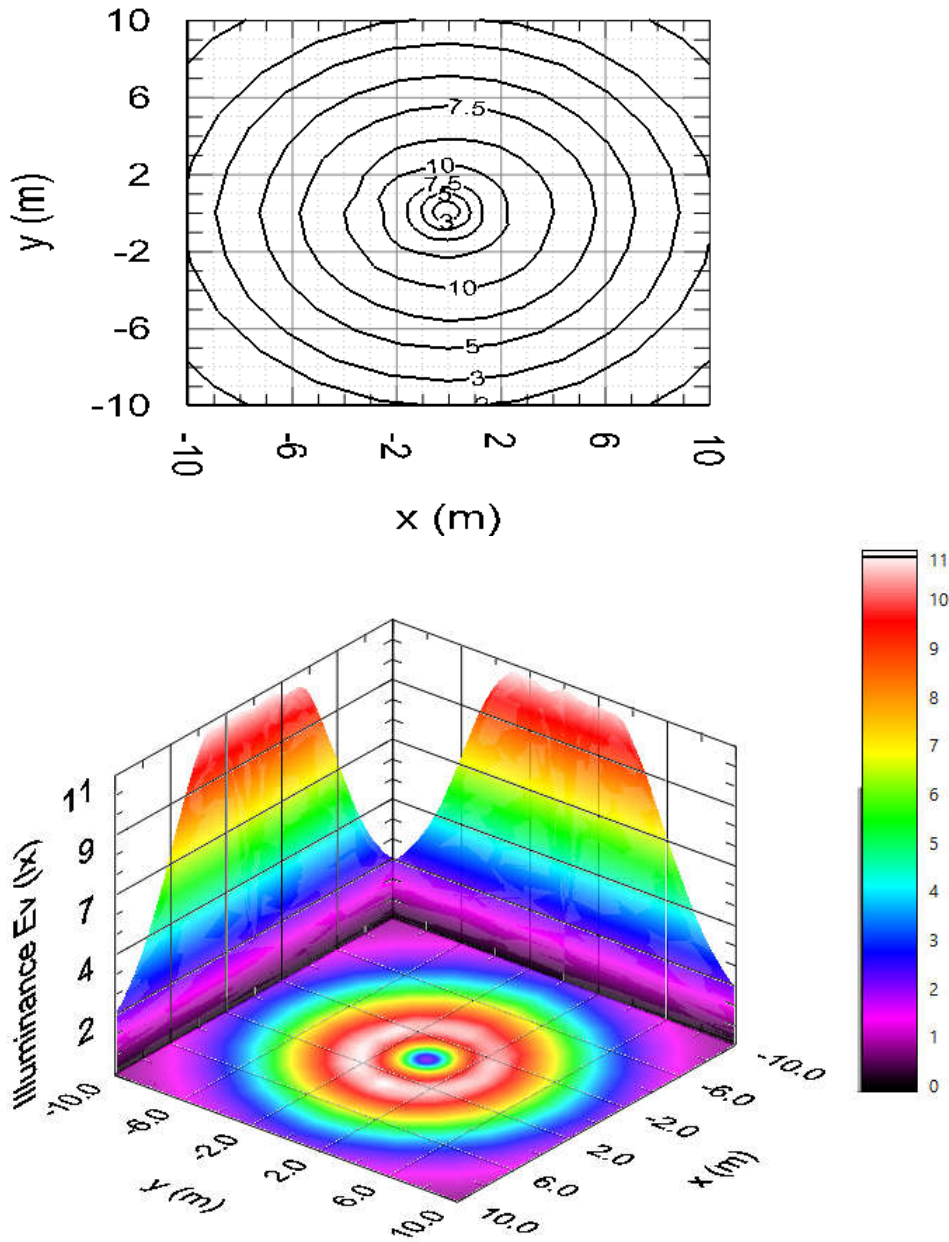
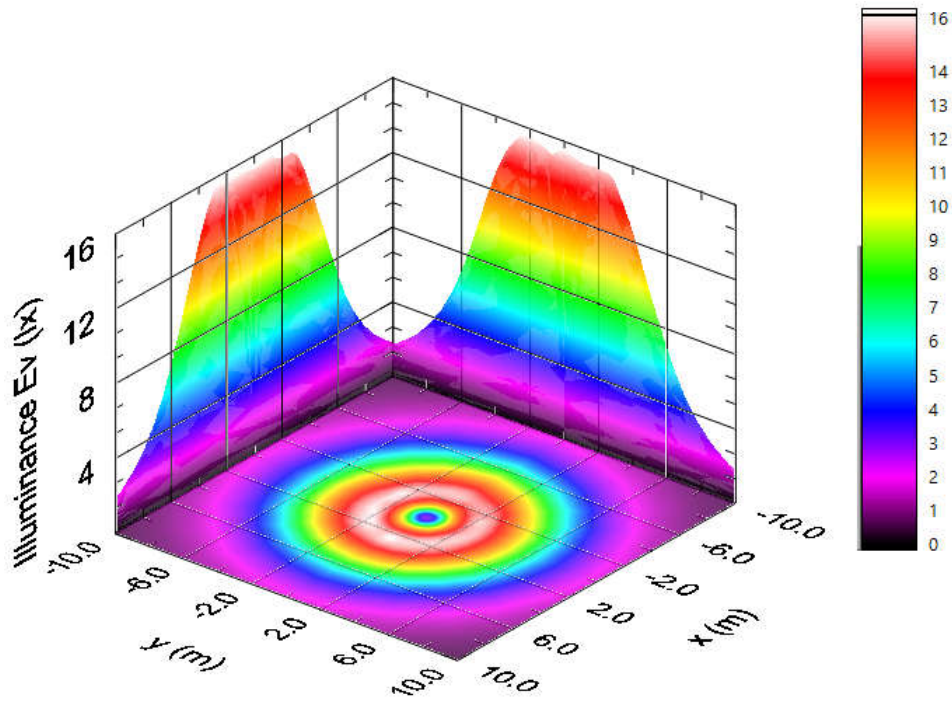
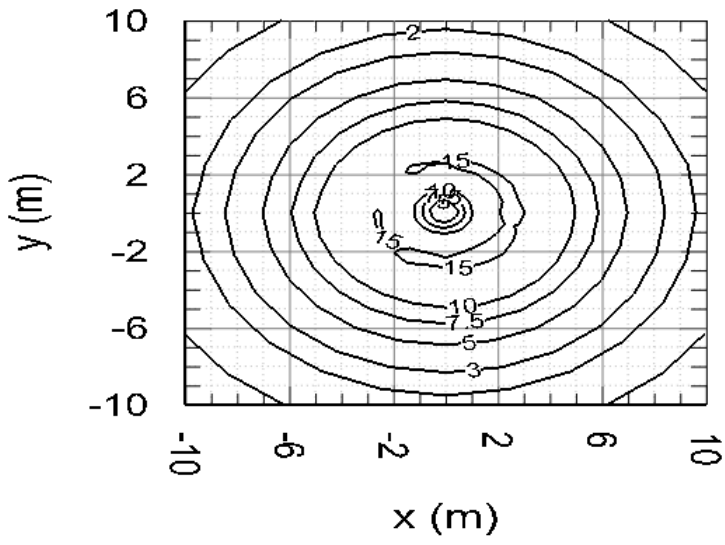


Figure 2. Cumulative luminous flux.

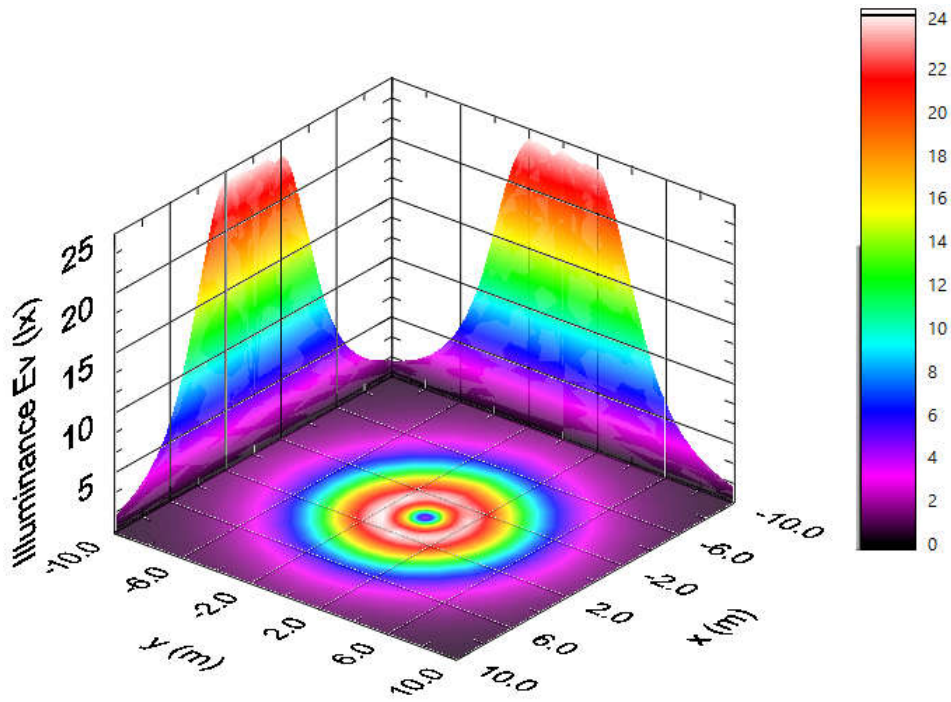
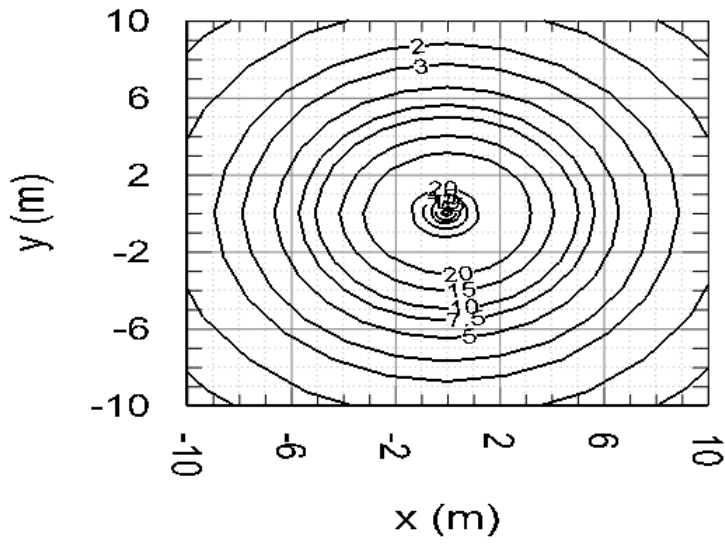
Mounting height = 6 m



Mounting height = 5 m



Mounting height = 4 m



Mounting height = 3 m

